



KIESELMANN
FLUID PROCESS GROUP

Operating instruction

- Translation of the original -

Double seat - tank outlet valve Type: 5629

- with divided pistons



1. List of contents

1.	List of contents	2
2.	Information for your safety.....	3
3.	Marking of security instructions in the operating manual	3
4.	Safety instructions.....	4
4.1	Field of application	4
4.2	General safety instructions.....	4
4.3	General notes.....	4
5.	Function.....	4
5.1	Functional description	4
6.	Installation informations.....	4
6.1	Installation instructions.....	4
6.2	Welding guidelines.....	4
7.	Maintenance.....	5
7.1	Maintenance.....	5
7.2	Cleaning	5
7.3	Cleaning flow rate	5
8.	Control system - and interrogation system.....	5
8.1	Special features valve control -optional-	5
8.2	Proximity switch mounting set -optional-.....	5
9.	Technical data	6
10.	Pneumatic valve actuation	7
11.	Disassembly and Assembly	8
11.1	Disassembly.....	8
11.2	Removing in product contact wearing parts	8
12.	Dimensions.....	9
12.1	Size measurement table	9
12.2	Dimensioned drawing.....	9
13.	Drawing	10
14.	Manufacturing.....	11
14.1	Structure of Article number	11
15.	Spare parts list Double seat - Tank outlet valve Type 5629 (1.4404 / AISI316L).....	13
15.1	Spare parts list - Valve insert	13
15.2	Seal kit EPDM	14
15.3	Seal kit HNBR	14
15.4	Seal kit VITON®.....	14
16.	Declaration of incorporation	15

2. Information for your safety

We are pleased that you have decided for a high-class KIESELMANN product. With correct application and adequate maintenance, our products provide long time and reliable operation.




Before installation and initiation, please carefully read this instruction manual and the security advices contained in it. This guarantees reliable and safe operation of this product and your plant respectively. Please note that an incorrect application of the process components may lead to great material damages and personal injury.

In case of damages caused by non observance of this instruction manual, incorrect initiation, handling or external interference, guarantee and warranty will lapse!

Our products are produced, mounted and tested with high diligence. However, if there is still a reason for complaint, we will naturally try to give you entire satisfaction within the scope of our warranty. We will be at your disposal also after expiration of the warranty. In addition, you will also find all necessary instructions and spare part data for maintenance in this instruction manual. If you don't want to carry out the maintenance by yourself, our KIESELMANN service team will naturally be at your disposal.

3. Marking of security instructions in the operating manual

Hints are available in the chapter "safety instructions" or directly before the respective operation instruction. The hints are highlighted with a danger symbol and a signal word. Texts beside these symbols have to be read and adhered to by all means. Please continue with the text and with the handling at the valve only afterwards.

Symbol	Signal word	Meaning
	DANGER	Imminent danger which may cause severe personal injury or death.
	ATTENTION	Dangerous situation which may cause slight personal injury or material damages.
	NOTE	Marks application hints and other information which is particularly useful.

4. Safety instructions

4.1 Field of application

Based upon its functions, the valve is suitable for use as a leak-proof shut-off valve in the food and beverages, in pharmaceutical, biotechnological and chemical industries.



ATTENTION

- To avoid danger and damage, the fitting must be used in accordance with the safety instructions and technical data contained in the operating instructions.

4.2 General safety instructions



DANGER

- Danger of crushing or amputating limbs.
Do not reach into the valve housing when in pneumatic mode.
- When removing the valve or valve components from the system, there is a danger of injury from escaping liquids or gases.
Only dismantle when you are absolutely sure that the system is depressurized and free of liquids and gases.
- Danger of scalding and burns to parts of your body from liquids escaping from the leakage drain (L).
The splash protection fixtures must always be attached to the leakage drain.
- The actuation can be dismantled.
Danger of injury by prestressed pressurespring. Observe separate installation instructions.
We recommend having the manufacturer do the maintenance work required for the actuation.



ATTENTION

- To avoid air leaking, only use pneumatic connection parts that have an O-ring seal facing the even surface.
- When mounting the clamps, the max. torque must not be exceeded (see Technical data).
- Steps should be taken to ensure that no external forces are exerted on the fitting.

4.3 General notes



NOTE

- All data are in line with the current state of development. Subject to change as a result of technical progress.

5. Function

5.1 Functional description

The valve is opened in direction 'X' by means of control air, and is closed from top to bottom by means of spring power without any leakage. Different media fed from the tank or the piping system are separated in a leakage-free fashion by means of two, independently acting valve discs with double seal function. Leakage which occurs due to damaged valve disc seals is discharged into the atmosphere without pressure via the leakage outlet (L).

6. Installation informations

6.1 Installation instructions

The valve must be vertically installed with the actuator at the bottom. Liquid must be able to flow freely from the valve housing and the leakage outlet (L).



NOTE

The valve is closed by spring pressure. An additional pneumatic boosting of the closing pressure is prohibited on account of the damage that may ensue.

6.2 Welding guidelines

- Sealing elements integrated in weld components must generally be removed prior to welding.
- To prevent damage, welding should be undertaken by certified personnel (EN287).
- Use the TIG (tungsten inert gas) welding process.



NOTE

Impurities can cause damage to the seals. Clean inside areas prior to assembly.

7. Maintenance

7.1 Maintenance

The maintenance intervals depend on the operating conditions

- temperature, temperature-intervals
- medium and cleaning medium
- pressure and opening frequency

We recommend replacing the seals every 1 years. The user, however should establish appropriate maintenance intervals according to the condition of the seals.

➤ Lubricants



NOTE

		<u>Lubricant recommendation</u>
EPDM; Viton; K-flex; NBR; HNBR	⇔	Klüber Paraliq GTE703*
Silicone	⇔	Klüber Sintheso pro AA2*
Thread	⇔	Interflon Food*

*) It is only permitted to use approved lubricants, if the respective fitting is used for the production of food or drink. Please observe the relevant safety data sheets of the manufacturers of lubricants.

7.2 Cleaning

The valve housing is cleaned with the pipe cleaning system when the valve is closed. At the same time, the leakage chamber with the valve shaft is cleaned by cycling the valve disk V2. When cleaning the tank, it is possible to clean the leakage chamber when the valve is closed and the valve disk V1 is cycled. When the valve is open, the valve housing is cleaned via the CIP return line.

7.3 Cleaning flow rate

➤ Leakage chamber - Cleaning parameters ¹⁾

Cleaning step	Aerate valve disc		Cleaning flow rate - clocking at the top or at the bottom(m ³ /h /3bar)						
			DN25	DN40	DN50	DN65	DN 80	DN 100	DN 125
Pre-Rinse	-	clocking at top	4,0	4,0	4,0	5,0	7,5	7,5	9,0
Wash 80°C	3 x 5 sec.								
Intermediate rinse	2 x 5 sec.								
Acid	3 x 5 sec.	clocking at bottom	2,5	2,5	2,5	3,0	4,5	4,5	6,0
Final rinse	2 x 5 sec.								

¹⁾ Recommended for the Beverage Industry

8. Control system - and interrogation system

8.1 Special features valve control -optional-

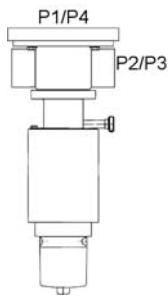
Optionally, modular valve control systems can be installed to the actuator for reading and actuating valve positions. The standard version is a closed system with SPS or ASI-bus switch-on electronics, and integrated 3/2-way solenoid valves. For tough operating conditions we recommend employing a high-grade steel cover.

8.2 Proximity switch mounting set -optional-

For the acquisition of the valve positions over inductive initiators, a limit switch support is mounted on the actuation. The enquiry takes place over the position of the piston rod.

9. Technical data

Model:	Double seat - tank outlet valve	
Valve size:	DN25 - 125	
Connection:	Welding end DIN11850 serie 2	
Temperature range:	<ul style="list-style-type: none"> Ambient temperature: +4° - +45°C Product temperature: +0° - +95°C depending on the medium Sterilization temperature: +140°C short time (30min) 	
Pressure resistance:	40 bar (off position)	
Vacuum:	1,5 - 10 ⁻⁶ mbar x 1/5 (test pressure 0,5mbar)	
Control air pressure:	5,5 - 8,0 bar	
Quality of control air:	ISO 8573-1 : 2001 quality class 3	
Material:	in product contact	not in product contact
Stainless steel:	1.4404 / AISI316L	1.4301 / AISI304
Surfaces:	RA ≤0,8µm e-pol.	metallic bright, e-pol.
Seals:	EPDM (FDA) HNBR (FDA) VITON®	



Operations pressure:
Tank pressure P1:
Pipe system P2:
Clock to pipe system P3:
Clock to the tank P4:

Tightening moment:
Torque in Nm

KV-value (m³/h):

Direction of flow:	
transition-flow	⇔
from pipe to tank	↗

nominal diameter DN							
25	40	50	65	80	100	125	150
6	6	6	6	6	6	5	-
6	6	6	6	6	6	6	-
4	4	4	4	4	4	4	-
4	4	4	4	2	2	4	-

Retaining clamp: nominal diameter DN							
25	40	50	65	80	100	125	-
15	15	15	25	20	55	65	-

nominal diameter DN							
25	40	50	65	80	100	125	150
95	95	95	150	380	380	580	-
45	45	45	72	155	155	245	-

10. Pneumatic valve actuation

Valve function	Pneum. control → with integrated (MV) in control unit (fig. /page 7)	Pneum. control → with external (MV) (fig. /page 7)
Valve stroke valve "OPEN"	control air feed P → MV1 → P1/LA1	control air feed ext.MV1 → LA1
Valve stroke valve "CLOSED"	de-aeration P1/LA1 → MV1 → R valve is closing by spring	de-aeration LA1 → ext.MV1 valve is closing by spring
Lower seat lift	OPEN = control air feed P → MV2 → P2/LA2	OPEN = control air feed ext.MV2 → P → LA2
	CLOSE = de-aeration P2/LA2 → MV2 → R	CLOSE = de-aeration LA2 → P → ext.MV2
Upper seat lift	OPEN = control air feed P → MV3 → P3/LA3	OPEN = control air feed ext.MV3 → LA3
	CLOSE = de-aeration P3/LA3 → MV3 → R	CLOSE = de-aeration LA3 → ext.MV3

MV = solenoid valve
MV1 = valve stroke
MV2 = lower seat lift
MV3 = upper seat lift
R = de-aeration, sound absorber
P = compressed-air inlet (control unit)
LA = compressed-air inlet (actuation)
S = slide switch - manual control (solenoid valves)
E = proximity switch M12x1
H = proximity switch mount. for proximity switch E

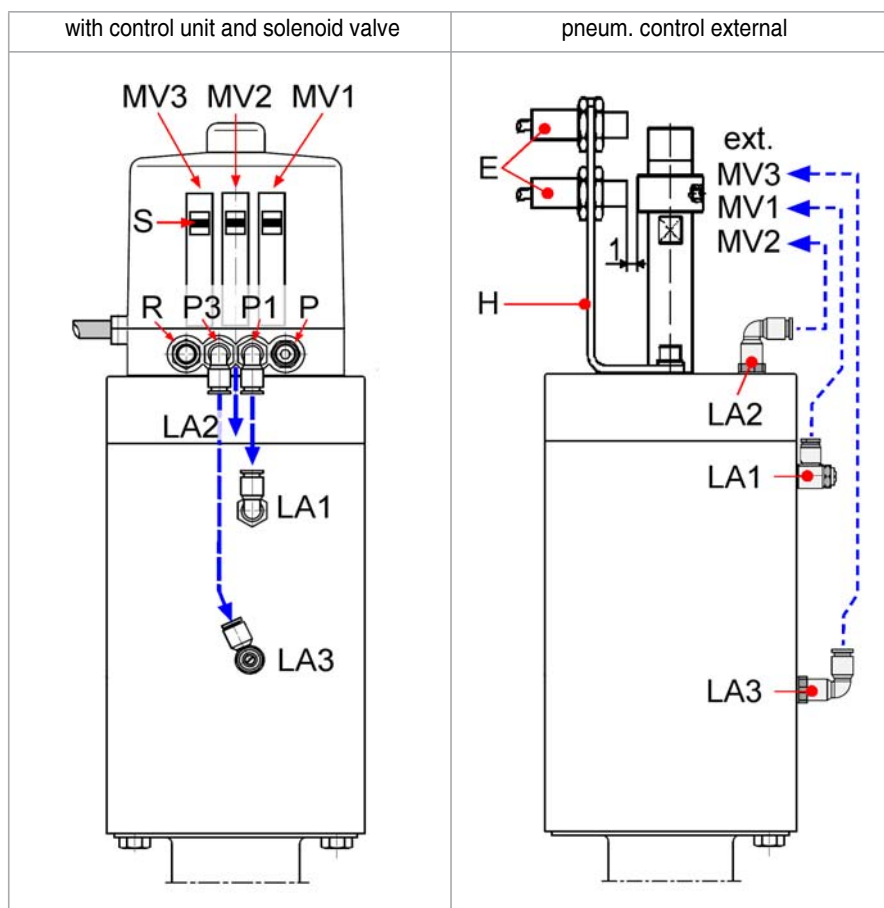


fig. 1

fig. 2

11. Disassembly and Assembly

11.1 Disassembly



NOTE

- All threaded joint have right-hand thread.
- Unscrew and remove control air, steam i.e. cleaning lines and electrical lines, complete proximity switch mounting or control head.

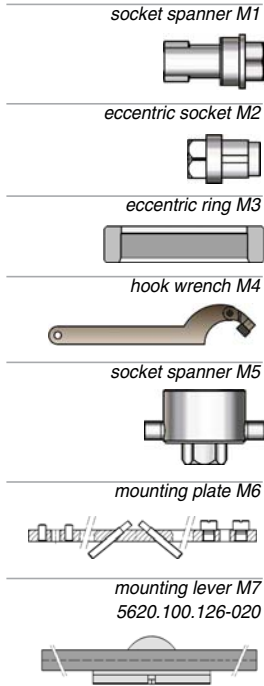
► Assembling tool kit

DN Article no.:
 DN25-65 5670.065.100-000
 DN80-100 5670.100.100-000
 DN125-150 5670.150.100-000

- Unscrew the upper retaining clamp (6).
- Remove the pneumatic valve insert, with the insert (7), the seal (D1) and the bearing bush (8) of the housing (1).

11.2 Removing in product contact wearing parts

We recommend to use for the assembly / disassembly the assembling tool kit. (Stock number see Tab. Assembling tool kit)



- Unscrew the piston V2 (13), therefor fix the mounting lever M7 in the slot (E) (fig. 6 /page 10) and hold against at the flat SW17.
- Remove seal (D4), O-Ring (D6) and piston plate V2 (12).
- Unscrew the hexagon nut (16).
- Push lantern (14) in direction "X" until the hole (B1) is freely visible.
- Fix the mounting plate M6 with the retention pins in the piston plate V1(11) in the hole (B2) and hold against with the hook spanner M4 at the hole (B1). Unscrew the piston plate V1(11) with the piston V1(10).
- Push against direction 'X' the insert (7), the seal (D1) and the bearing bush (8) from the piston V1(10).
- Unscrew the piston V1(10) from the piston plate V1 (11) with the socket spanner M1 (see fig. 3 /page 8).
- Remove the seal (D4), O-Rings (D3) and (D5).
- Dismount the valve lift stop (15).
- Dismantle the seals: Item.(D7), Item.(D2)(2x), Item.(D8)(2x), Item.(D9), Item.(D10)

► Piston V1 (10), Piston plate V1 (11)

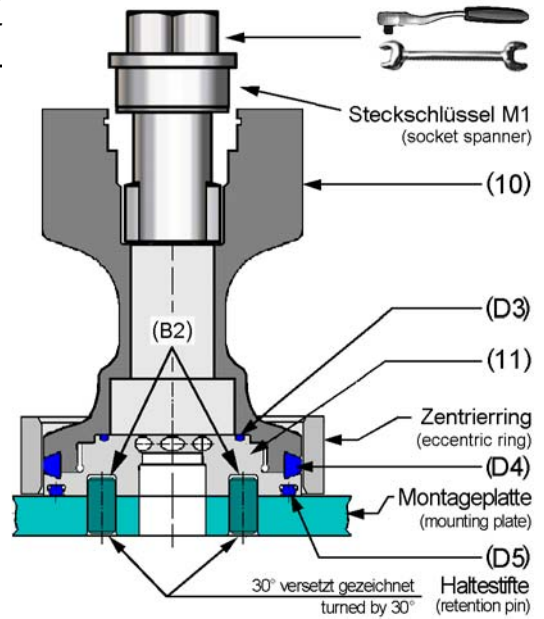


fig. 3

Assembly

- Assemble in reverse order.
- Thoroughly clean and slightly lubricate mounting areas and running surfaces. (item (13) excluded please don't grease).

► Assemble seal (D4) (2x)

- Screw in piston plate V1(11) without the seal (D4) to the metal limit stop in the piston V1(10).
- Make a color marking at the piston surfaces and disassemble the piston V1(10) and the piston plate V1(11) (fig. 4 /page 8).
- Push the seal (D4) into the piston V1(10) and screw the piston plate V1(11) into the piston V1(10) by hand.
- Clamp the mounting plate into a vice and fix the piston plate V1(11) (see fig. 3 /page 8).
- Position the eccentric ring M3 on the seal (D4) (see fig. 3 /page 8).
- Position the socket spanner M1 and screw the piston V1(10) up to the final limit mark (fig. 4 /page 8).
- Screw in piston plate V2(12) without the seal (D4) to the metal limit stop in the piston V2(13).
- Make a color marking at the piston surfaces and disassemble the piston V2(13) and the piston plate V2(12) (fig. 4 /page 8).
- Install the O-Rings (D5) and (D6).
- Push the seal (D4) into the piston plate V2(12) and mount it into piston V2(13).
- Position the eccentric ring M3 on the seal (D4).
- Screw the piston V2(13) up to the final limit mark in the piston V1(10).

► Marking

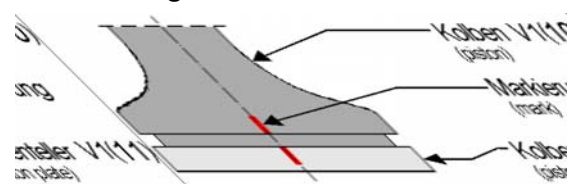


fig. 4

► Lubricants

- EPDM; Viton®; K-flex Klüber Paraliq GTE 703
- NBR; HNBR; Silicone Klüber Paraliq GB 363
- Threat Teflongrease Interflon

12. Dimensions

12.1 Size measurement table

nominal diameter	25	40	50	65	80	100	125	150	
D1	∅ 29x1,5	∅ 41x1,5	∅ 53x1,5	∅ 70x2	∅ 85x2	∅ 104x2	∅ 129x2	-	
D2	∅ 146	∅ 146	∅ 146	∅ 173	∅ 219	∅ 220	∅ 248	-	
D3	∅ 128	∅ 128	∅ 128	∅ 128	∅ 160	∅ 160	230	-	
L1	-	-	170	210	-	260	320	-	
L2	58	51,5	45	66	101	92	104	-	
L3	302	236	-	-	364	-	-	-	
L4	440	445	449	464	553	560	625	-	
size when completed	L5	540	550	560	580	720	730	815	-

12.2 Dimensioned drawing

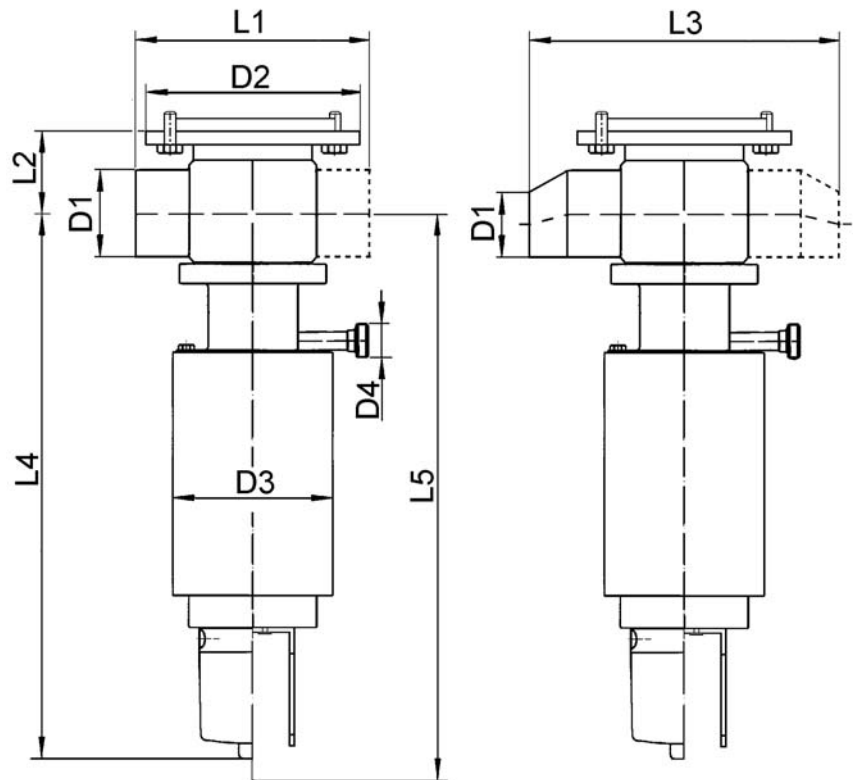


fig. 5

13. Drawing

- 1) Housing
- 2) Hexagon screw
- 3) Disc
- 4) Flange
- 5) Circlip ring
- 6) Retaining clamp
- 7) Insert
- 8) Bearing bush
- 9) Plain bearing
- 10) Piston V1
- 11) Piston plate V1
- 12) Piston plate V2
- 13) Piston V2
- 14) Lantern
- 15) Valve lift stop
- 16) Hexagon screw
- 17) Plain bearing
- 18) Pneum. actuator
- 19) O-Ring
- 20) Position indication
- 21) Cap

- D1) Seal
- D2) O-Ring
- D3) O-Ring
- D4) Seal
- D5) O-Ring
- D6) O-Ring
- D7) O-Ring
- D8) O-Ring
- D9) O-Ring
- D10) O-Ring

- A1 = Control head
 A2 = Proximity switch mount.
 B = Hole
 E = Slot
 F = Flange optional
 IG = Puls generator
 L = Leakage tell taue
 LA1 = Main valve lift
 LA2 = Lower seat lift (tank side)
 LA3 = Upper seat lift (pipe side)
 SW = wrench size

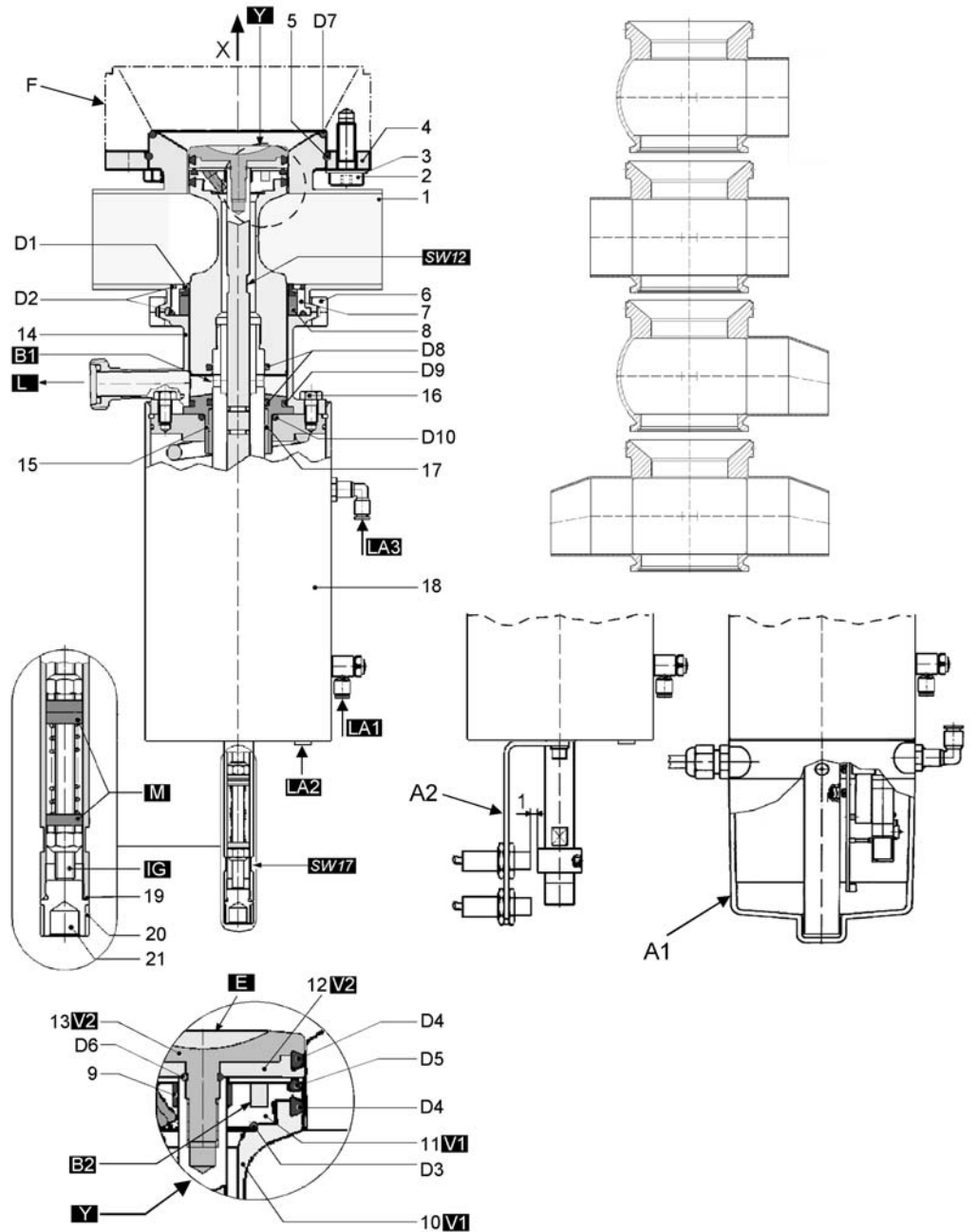
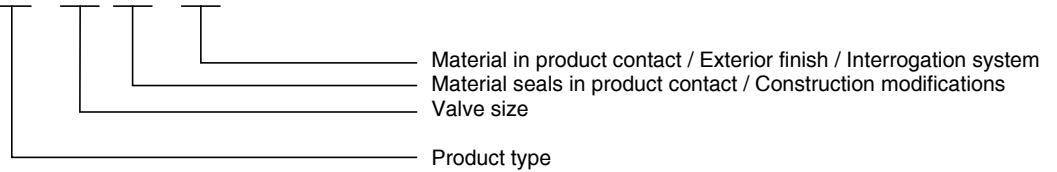


fig. 6

14. Manufacturing

14.1 Structure of Article number

5629 050 730 - 041



➤ Product type

Type 5629 Double seat - Tank outlet valve with divided pistons, air open - spring close

➤ Valve size

DN = Nominal diameter

DIN	025 = DN25	040 = DN40	050 = DN50	065 = DN65	080 = DN80	100 = DN100	125 = DN125	150 = DN150
INCH	026 = DN1	038 = DN1½	051 = DN2	064 = DN2½	076 = DN3	101 = DN4	-	-

➤ Material seal / Construction modifications

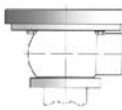
Material seals in product contact: EPDM, HNBR, NBR, Viton, Silikon, k-flex

Construction modifications:

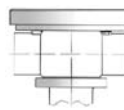
5629 DN 7x5-xxx

Valve insert without housing ohne

5629 DN 7x0-xxx S



5629 DN 7x2-xxx S-S



➤ Material in product contact / Exterior finish

020 - 1.4301/1.4307 AISI304/307 - bright turned	040 - 1.4301/1.4307 AISI304/307 - bright turned
021 - 1.4301/1.4307 AISI304/307 - E-polished	041 - 1.4301/1.4307 AISI304/307 - E-polished
022 - 1.4301/1.4307 AISI304/307 - unpolished, glass-bead blasted	042 - 1.4301/1.4307 AISI304/307 - unpolished, glass-bead blasted

➤ Interrogation system

Article number	Control System or Interrogation System (A1, A2)					Pulse generator IG
56xx DN xxx -041	-	-----	-	-	Valve without Control- or Interrogation System	-----
56xx DN xxx -750	Mounting	5630 005 000-020	-	-	Valve with Sensor mounting set	-----

Control head ASI-Bus Double seat valve

56xx DN xxx -600	Control head	5630 200 000-000	ASI-Bus Standard	0 MV	ASI 2-wire cable adapter	5620 DN 005-000
56xx DN xxx -601	Control head	5630 201 000-000	ASI-Bus Standard	1 MV	ASI 2-wire cable adapter	5620 DN 005-000
56xx DN xxx -602	Control head	5630 202 000-000	ASI-Bus Standard	2 MV	ASI 2-wire cable adapter	5620 DN 005-000
56xx DN xxx -603	Control head	5630 203 000-000	ASI-Bus Standard	3 MV	ASI 2-wire cable adapter	5620 DN 005-000
56xx DN xxx -604	Control head	5630 203 010-000	ASI-Bus/ES/ABSL	3 MV	Plug M12 4-pin / plug socket M12 5-pin	5620 DN 005-000
56xx DN xxx -605	Control head	5630 203 051-000	ASI-Bus/ABSL	3 MV	Plug M12 4-pin, ES-LA	5620 DN 005-000
56xx DN xxx -606	Control head	5630 201 010-000	ASI-Bus/ES/ABSL	1 MV	Plug M12 4-pin / plug socket M12 5-pin	5620 DN 005-000
56xx DN xxx -609	Control head	5630 203 050-000	ASI-Bus/ABSL	3 MV	Plug M12 4-pin	5620 DN 005-000
56xx DN xxx -610	Control head	5630 202 010-000	ASI-Bus/ES/ABSL	2 MV	Plug M12 4-pin / plug socket M12 5-pin	5620 DN 005-000
56xx DN xxx -611	Control head	5630 201 051-000	ASI-Bus/ABSL	1 MV	Plug M12 4-pin, ES-LA	5620 DN 005-000
56xx DN xxx -613	Control head	5630 202 051-000	ASI-Bus/ABSL	2 MV	Plug M12 4-pin, ES-LA	5620 DN 005-000
56xx DN xxx -614	Control head	5630 203 053-000	ASI-Bus/ABSL	3 MV	ASI 2-wire cable adapter	5620 DN 005-000
56xx DN xxx -615	Control head	5630 203 003-000	ASI-Bus Standard	3 MV	KV M16x1,5 / Pg 9	5620 DN 005-000
56xx DN xxx -616	Control head	5630 201 003-000	ASI-Bus Standard	1 MV	KV M16x1,5 / Pg 9	5620 DN 005-000
56xx DN xxx -619	Control head	5630 203 151-000	ASI-Bus/ABSL	3 MV	Plug M12 4-pin, LED-ESH	5620 DN 005-000
56xx DN xxx -620	Control head	5630 201 050-000	ASI-Bus/ABSL	1 MV	Plug M12 4-pin	5620 DN 005-000
56xx DN xxx -624	Control head	5630 202 050-000	ASI-Bus/ABSL	2 MV	Plug M12 4-pin	5620 DN 005-000
56xx DN xxx -625	Control head	5630 201 158-000	ASI-Bus/ABSL	1 MV	KV M16x1,5, LED-ESH	5620 DN 005-000
56xx DN xxx -626	Control head	5630 202 158-000	ASI-Bus/ABSL	2 MV	KV M16x1,5, LED-ESH	5620 DN 005-000
56xx DN xxx -627	Control head	5630 203 158-000	ASI-Bus/ABSL	3 MV	KV M16x1,5, LED-ESH	5620 DN 005-000
56xx DN xxx -629	Control head	5630 201 151-000	ASI-Bus/ABSL	1 MV	Plug M12 4-pin, LED-ESH	5620 DN 005-000
56xx DN xxx -630	Control head	5630 200 061-000	ASI-Bus Standard	0 MV	Plug M12 4-pin	5620 DN 005-000
56xx DN xxx -631	Control head	5630 201 061-000	ASI-Bus Standard	1 MV	Plug M12 4-pin	5620 DN 005-000
56xx DN xxx -632	Control head	5630 202 061-000	ASI-Bus Standard	2 MV	Plug M12 4-pin	5620 DN 005-000
56xx DN xxx -633	Control head	5630 203 061-000	ASI-Bus Standard	3 MV	Plug M12 4-pin	5620 DN 005-000
56xx DN xxx -640	Control head	5630 201 058-000	ASI-Bus/ABSL	1 MV	2x KV M16x1,5	5620 DN 005-000
56xx DN xxx -641	Control head	5630 202 058-000	ASI-Bus/ABSL	2 MV	2x KV M16x1,5	5620 DN 005-000
56xx DN xxx -642	Control head	5630 203 058-000	ASI-Bus/ABSL	3 MV	2x KV M16x1,5	5620 DN 005-000
56xx DN xxx -681	Control head	5630 203 081-000	ASI-Bus100/ABSL	3 MV	Plug M12 4-pin, Position Indicator, ES-LA	5620 DN 005-000
56xx DN xxx -682	Control head	5630 203 080-000	ASI-Bus100/ABSL	3 MV	Plug M12 4-pin, Position Indicator	5620 DN 005-000

Control head SPS Double seat valve

56xx DN xxx -500	Control head	5630 000 000-000	SPS-Standard	0 MV	KV M16x1,5 / Pg 9	5620 DN 005-000
56xx DN xxx -501	Control head	5630 001 000-000	SPS-Standard	1 MV	KV M16x1,5 / Pg 9	5620 DN 005-000
56xx DN xxx -502	Control head	5630 002 000-000	SPS-Standard	2 MV	KV M16x1,5 / Pg 9	5620 DN 005-000
56xx DN xxx -503	Control head	5630 003 000-000	SPS-Standard	3 MV	KV M16x1,5 / Pg 9	5620 DN 005-000
56xx DN xxx -505	Control head	5630 001 108-000	SPS-Standard	1 MV	2x KV M16x1,5 / Pg 9, LED-ESH	5620 DN 005-000
56xx DN xxx -506	Control head	5630 002 108-000	SPS-Standard	2 MV	2x KV M16x1,5 / Pg 9, LED-ESH	5620 DN 005-000
56xx DN xxx -507	Control head	5630 003 108-000	SPS-Standard	3 MV	2x KV M16x1,5 / Pg 9, LED-ESH	5620 DN 005-000
56xx DN xxx -508	Control head	5630 001 100-000	SPS-Standard	1 MV	KV M16x1,5 / Pg 9, ESH	5620 DN 005-000
56xx DN xxx -510	Control head	5630 000 040-000	SPS-Standard	0 MV	KV M16x1,5 / Pg 9, Valve tag	5620 DN 005-000
56xx DN xxx -513	Control head	5630 003 040-000	SPS-Standard	3 MV	KV M16x1,5 / Pg 9, Valve tag	5620 DN 005-000
56xx DN xxx -582	Control head	5630 003 080-000	SPS-Standard	3 MV	KV M16x1,5 / Pg 9, Position Indicator	5620 DN 005-000

DN - Nominal diameter z.B. 5674 050 730-041
 MV - Solenoid valve
 KV - Compression gland 4,5-6mm
 ESH - Stainless steel cap
 ES-LA - Air connection (steel stainless)

15. Spare parts list Double seat - Tank outlet valve Type 5629 (1.4404 / AISI316L)

Seal	Connection	Article-No.	Valve insert	Seal kit
EPDM	S	5629 DN 730-xxx	5629 DN 735-041	5629 DN 739-000
	S - S	5629 DN 732-xxx		
HNBR	S	5629 DN 720-xxx	5629 DN 725-041	5629 DN 729-000
	S - S	5629 DN 722-xxx		
VITON®	S	5629 DN 740-xxx	5629 DN 745-041	5629 DN 749-000
	S - S	5629 DN 742-xxx		

DN - Nominal diameter e.g. 5629 050 730-041

xxx - Material in product contact / Exterior finish / Interrogation system (see Tab. Interrogation system)

S - Welding end

Item.	Designation	Material	DN25	DN40	DN50	DN65	DN80	DN100	DN125
F	Flange optional	AISI316L	5629 050 002-040	5629 050 002-040	5629 050 002-040	5629 065 002-040	5629 100 010-040	5629 100 010-040	5629 125 002-040
1	Housing S	AISI316L	5629 025 221-041	-	5629 050 001-041	5629 065 001-041	5629 080 001-041	5629 100 001-041	5629 125 001-041
	Housing S - S	AISI316L	5629 025 011-041	5629 040 731-041	5629 050 011-041	5629 065 005-041	5629 080 011-041	5629 100 011-041	5629 125 011-041
2	Hexagon screw	AISI304	8106 010 025-020 DIN933 M10x25 (4x)	8106 010 025-020 DIN933 M10x25 (4x)	8106 010 025-020 DIN933 M10x25 (4x)	8095 012 025-020 DIN912 M12x25 (4x)	8106 012 030-020 DIN933 M12x30 (6x)	8106 012 030-020 DIN933 M12x30 (6x)	8106 010 030-020 DIN933 M10x30 (8x)
3	Disc	AISI304	8071 105 001-020 DIN125 A10,5 (4x)	8071 105 001-020 DIN125 A10,5 (4x)	8071 105 001-020 DIN125 A10,5 (4x)	8071 130 001-020 DIN125 A13 (4x)	8071 130 001-020 DIN125 A13 (6x)	8071 130 001-020 DIN125 A13 (6x)	8071 105 001-020 DIN125 A10,5 (8x)
4	Flange	AISI316L	5727 050 004-041	5727 050 004-041	5727 050 004-041	5727 065 004-041	5727 100 004-041	5727 100 004-041	5727 125 004-041
5	Circlip	AISI301	5757 050 003-031	5757 050 003-031	5757 050 003-031	5757 065 003-031	5757 100 003-031	5757 100 003-031	5757 125 003-031
6	Retaining clamp	AISI304	2122 065 100-020	2122 065 100-020	2122 065 100-020	2122 080 100-020	2122 125 100-020	2122 125 100-020	2122 150 100-020

15.1 Spare parts list - Valve insert

Item.	Designation	Material	DN25	DN40	DN50	DN65	DN80	DN100	DN125
	Valve insert EPDM	EPDM	5629 050 735-041	5629 050 735-041	5629 050 735-041	5629 065 735-041	5629 100 735-041	5629 100 735-041	5629 125 735-041
	Valve insert HNBR	HNBR	5629 050 725-041	5629 050 725-041	5629 050 725-041	5629 065 725-041	5629 100 725-041	5629 100 725-041	5629 125 725-041
	Valve insert VITON®	VITON®	5629 050 745-041	5629 050 745-041	5629 050 745-041	5629 065 745-041	5629 100 745-041	5629 100 745-041	5629 125 745-041
7	Insert - housing	AISI316L	5622 050 005-040	5622 050 005-040	5622 050 005-040	5622 065 005-040	5622 080 005-040	5622 100 005-040	5622 125 005-040
8	Bearing bush	PTFE	5622 050 006-053	5622 050 006-053	5622 050 006-053	5622 065 006-053	5622 080 006-053	5622 100 006-053	5622 125 006-053
9	Plain bearing	XMS	8050 015 007-156	8050 015 007-156	8050 015 007-156	8050 015 007-156	8050 020 007-156	8050 020 007-156	8050 020 007-156
10	Piston V1	AISI316L	5621 050 007-040	5621 050 007-040	5621 050 007-040	5621 065 007-040	5621 100 007-040	5621 100 007-040	5621 125 007-040
11	Piston plate V1	AISI316L	5621 050 006-040	5621 050 006-040	5621 050 006-040	5621 065 006-040	5621 100 006-040	5621 100 006-040	5621 125 006-040
12	Piston plate V2	AISI316L	5628 050 007-040	5628 050 007-040	5628 050 007-040	5628 065 007-040	5628 100 007-040	5628 100 007-040	5628 125 007-040
13	Piston V2	AISI316L	5628 050 006-040	5628 050 006-040	5628 050 006-040	5628 065 006-040	5628 100 006-040	5628 100 006-040	5628 125 006-040
14	Lantern	AISI304	5628 050 010-021	5628 050 010-021	5628 050 010-021	5628 065 010-021	5628 100 010-021	5628 100 010-021	5628 125 010-021
15	Valve lift stop	AISI303	5622 050 009-220	5622 050 009-220	5622 050 009-220	5622 065 009-220	5622 100 009-220	5622 100 009-220	5622 125 009-220
16	Hexagon screw	AISI304	8106 008 016-020	8106 008 016-020	8106 008 016-020	8106 008 016-020	8106 008 016-020	8106 008 016-020	8106 008 025-020
	Disc DIN125	AISI304	-	-	-	-	-	-	8071 084 001-020
17	Plain bearing	XMS	8050 035 030-156	8050 035 030-156	8050 035 030-156	8050 035 030-156	8050 040 030-156	8050 040 030-156	8050 040 030-156
18	pneum. actuator	AISI304	5628 050 000-021	5628 050 000-021	5628 050 000-021	5628 065 000-021	5628 100 000-021	5628 100 000-021	5620 150 000-021
19	O-Ring	NBR	2304 012 020-055	2304 012 020-055	2304 012 020-055	2304 012 020-055	2304 012 020-055	2304 012 020-055	2304 012 020-055
20	Position indication rot	PVC	5622 100 058-151	5622 100 058-151	5622 100 058-151	5622 100 058-151	5622 100 058-151	5622 100 058-151	5622 100 058-151
21	Cap	AISI303	5622 100 071-220	5622 100 071-220	5622 100 071-220	5622 100 071-220	5622 100 071-220	5622 100 071-220	5622 100 071-220

15.2 Seal kit EPDM

Item.	Designation	Material	DN25	DN40	DN50	DN65	DN80	DN100	DN125
	Seal kit	EPDM	5629 025 739-000	5629 040 739-000	5629 050 739-000	5629 065 739-000	5629 080 739-000	5629 100 739-000	5629 125 739-000
D1	Seal	EPDM	5622 050 010-069	5622 050 010-069	5622 050 010-069	5622 065 010-069	5622 100 010-069	5622 100 010-069	5622 125 010-069
D2	O-Ring (2x)	EPDM	2304 069 026-159	2304 069 026-159	2304 069 026-159	2304 082 026-159	2304 117 035-159	2304 117 035-159	2304 142 035-159
D3	O-Ring	EPDM	2304 026 015-170	2304 026 015-170	2304 026 015-170	2304 029 015-170	2304 036 020-170	2304 036 020-170	2304 036 020-170
D4	Seal (2x)	EPDM	5621 050 010-084	5621 050 010-084	5621 050 010-084	5621 065 010-084	5621 100 010-084	5621 100 010-084	2304 113 053-084
D5	O-Ring	EPDM	2304 041 035-159	2304 041 035-159	2304 041 035-159	2304 050 035-159	2304 085 035-159	2304 085 035-159	2304 111 035-084
D6	O-Ring	EPDM	2304 008 020-069	2304 008 020-069	2304 008 020-069	2304 008 020-069	2304 012 030-170	2304 012 030-170	2304 012 030-170
D7	O-Ring	EPDM	2304 088 035-159	2304 088 035-159	2304 088 035-159	2304 110 035-159	2304 158 035-159	2304 158 035-159	2304 158 035-159
D8	O-Ring	EPDM	2304 036 035-159	2304 036 035-159	2304 036 035-159	2304 036 035-159	2304 041 035-159	2304 041 035-159	2304 041 035-159
D9	O-Ring	EPDM	2304 047 035-159	2304 047 035-159	2304 047 035-159	2304 057 035-159	2304 092 035-159	2304 092 035-159	2304 117 035-159
D10	O-Ring	NBR	2304 042 025-055	2304 042 025-055	2304 042 025-055	2304 042 025-055	2304 046 025-055	2304 046 025-055	2304 046 025-055

15.3 Seal kit HNBR

Item.	Designation	Material	DN25	DN40	DN50	DN65	DN80	DN100	DN125
	Seal kit	HNBR	5629 025 729-000	5629 040 729-000	5629 050 729-000	5629 065 729-000	5629 080 729-000	5629 100 729-000	5629 125 729-000
D1	Seal	HNBR	5622 050 010-050	5622 050 010-050	5622 050 010-050	5622 065 010-050	5622 100 010-050	5622 100 010-050	5622 125 010-050
D2	O-Ring (2x)	HNBR	2304 069 026-050	2304 069 026-050	2304 069 026-050	2304 082 026-050	2304 117 035-050	2304 117 035-050	2304 142 035-050
D3	O-Ring	EPDM	2304 026 015-170	2304 026 015-170	2304 026 015-170	2304 029 015-170	2304 036 020-170	2304 036 020-170	2304 036 020-170
D4	Seal (2x)	HNBR	5621 050 010-157	5621 050 010-157	5621 050 010-157	5621 065 010-157	5621 100 010-157	5621 100 010-157	2304 113 053-157
D5	O-Ring	HNBR	2304 041 035-157	2304 041 035-157	2304 041 035-157	2304 050 035-157	2304 085 035-157	2304 085 035-157	2304 111 035-157
D6	O-Ring	EPDM	2304 008 020-069	2304 008 020-069	2304 008 020-069	2304 008 020-069	2304 012 030-170	2304 012 030-170	2304 012 030-170
D7	O-Ring	HNBR NBR	2304 085 035-157 -	2304 085 035-157 -	2304 085 035-157 -	2304 111 035-050 -	- 2304 158 035-055	- 2304 158 035-055	- 2304 158 035-055
D8	O-Ring	EPDM	2304 036 035-159	2304 036 035-159	2304 036 035-159	2304 036 035-159	2304 041 035-159	2304 041 035-159	2304 041 035-159
D9	O-Ring	EPDM	2304 047 035-159	2304 047 035-159	2304 047 035-159	2304 057 035-159	2304 092 035-159	2304 092 035-159	2304 117 035-159
D10	O-Ring	NBR	2304 042 025-055	2304 042 025-055	2304 042 025-055	2304 042 025-055	2304 046 025-055	2304 046 025-055	2304 046 025-055

15.4 Seal kit VITON®

Item.	Designation	Material	DN25	DN40	DN50	DN65	DN80	DN100	DN125
	Seal kit	VITON®	5629 025 749-000	5629 040 749-000	5629 050 749-000	5629 065 749-000	5629 080 749-000	5629 100 749-000	5629 125 749-000
D1	Seal	VITON®	-	-	-	-	-	-	-
D2	O-Ring (2x)	VITON®	-	-	-	-	-	-	-
D3	O-Ring	EPDM	-	-	-	-	-	-	-
D4	Seal (2x)	VITON®	-	-	-	-	-	-	-
D5	O-Ring	VITON®	-	-	-	-	-	-	-
D6	O-Ring	EPDM	-	-	-	-	-	-	-
D7	O-Ring	VITON®	-	-	-	-	-	-	-
D8	O-Ring	EPDM	-	-	-	-	-	-	-
D9	O-Ring	EPDM	-	-	-	-	-	-	-
D10	O-Ring	NBR	-	-	-	-	-	-	-



Declaration of incorporation

Translation of the original

Manufacturer / authorised representative:

KIESELMANN GmbH
Paul-Kieselmann-Str. 4-10
75438 Knittlingen
Germany

Authorised representative,
for compiling technical documents:

Achim Kauselmann
KIESELMANN GmbH
Paul-Kieselmann-Str. 4-10
75438 Knittlingen
Germany

Product name

pneum. Lift actuators
pneum. Rotary actuators
Ball valves
Butterfly valves
Single seat valves
Flow control valves
Throttle valve
Overflow valve
Double seat valve
Bellow valves
Sampling valves
Two way valves
Tankdome fitting

Function

Stroke movement
Rotary movement
Media cutoff
Media cutoff
Media cutoff
Control of liquefied media
Control of liquefied media
Definition of fluid pressure
Media separation
Sampling of liquids
Sampling of liquids
Media cutoff
Prevention of overpressure and vacuum, Tank cleaning

The manufacturer hereby states that the above product is considered as an incomplete machine in the sense defined in the Directive 2006/42/EC on Machinery. The above product is exclusively intended to be installed into a machine or an incomplete machine. The said product does not yet conform to all the relevant requirements defined in the Directive on Machinery referred to above for this reason.

The specific technical documents listed in Appendix VII, Part B, have been prepared. The Authorized Agent empowered to compile technical documents may submit the relevant documents if such a request has been properly justified.

Commissioning of an incomplete machine may only be carried out if it has been determined that the respective machine into which the incomplete machine is to be installed conforms to the regulations set out in the Directive on Machinery referred to above.

The above product conforms to the requirements of the directives and harmonized standards specified below:

- DIN EN ISO 12100 Safety of machinery

Knittlingen, 04. 12. 2012

Klaus Dohle
General Director